

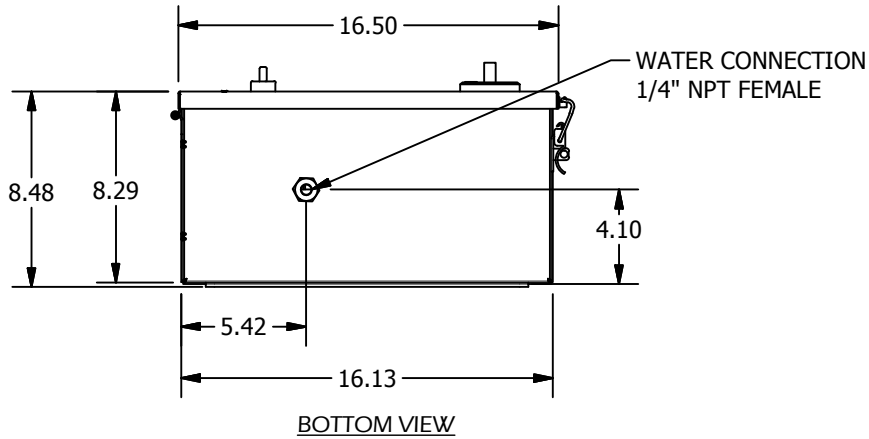
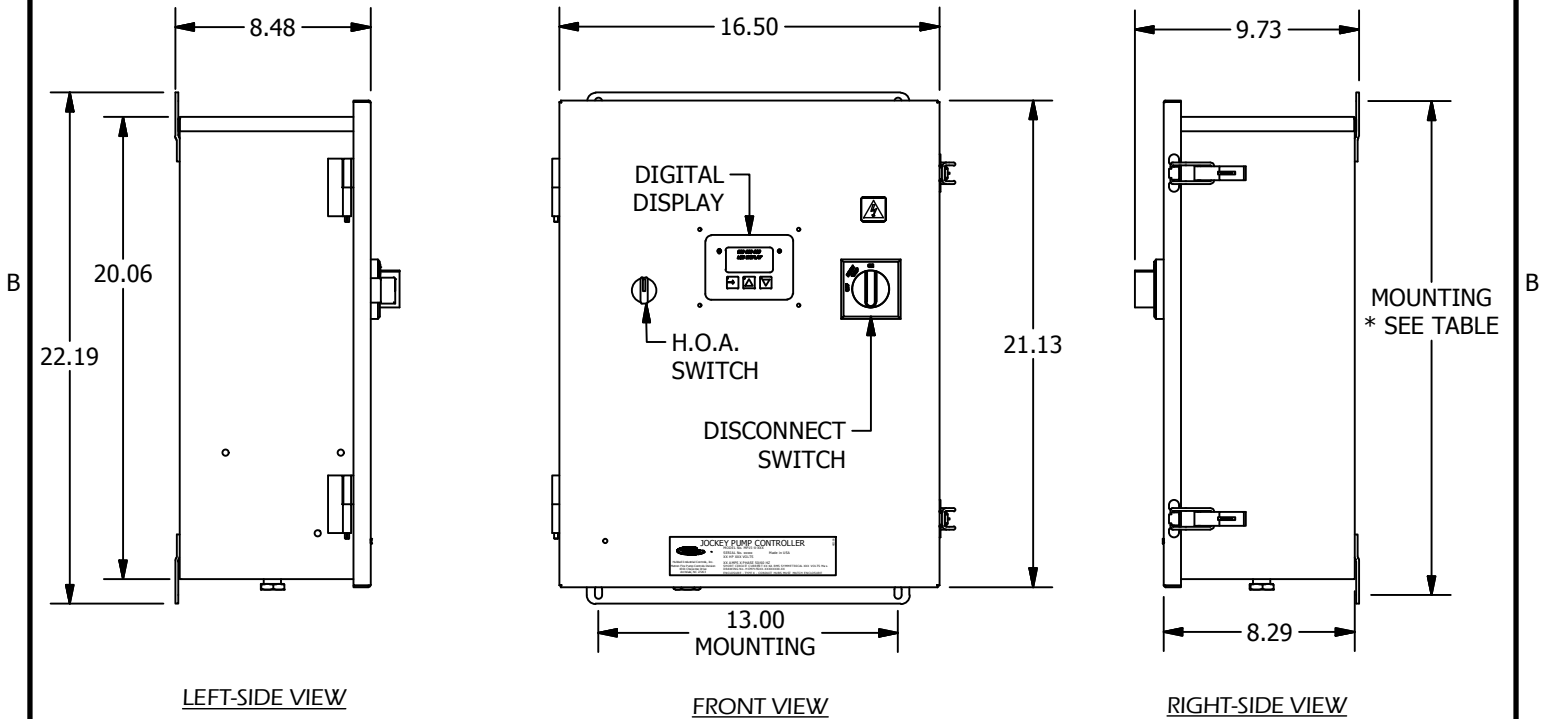


DIMENSIONS & DATA

MICRO PROCESSOR
JOCKEY PUMP CONTROLLER



MP15



SINGE PHASE	
HP	VAC
.25 - 5	110-115
.25 - 10	200
.25 - 10	220

THREE PHASE	
HP	VAC
.25 - 20	200
.25 - 20	208
.25 - 20	220-240
.25 - 30	380-415
.25 - 40	440-480
.25 - 50	550-600

SELECTION TABLE						
PHASE	HP	VOLTAGE	SELECT ENCLOSURE	ENCLOSURE TYPE	MOUNTING	
				TYPE 3R (STD-SHOWN)	13"W X 21.25"H	
				TYPE 4 CRS	13"W X 21.50"H	
				TYPE 4X CRS		
				TYPE 4X 316 SS UNPAINTED		
				TYPE 4X 316 SS PAINTED		

NOTES:

- ENCLOSURE MADE FROM 16GA. STEEL WITH RED POLYESTER POWDER FINISH.
- ENTER EITHER TOP OR BOTTOM (PREFERRED)
- PROTECT INTERNAL EQUIPMENT FROM DRILLING CHIPS
- DIMENSIONS SUBJECT TO CHANGE WITHOUT NOTICE. ALWAYS CONSULT FACTORY TO CONFIRM CURRENT INFORMATION.
- ALL DIMENSIONS ARE IN INCHES.
- POWER AVAILABLE AND PUMP-RUNNING LIGHTS ARE STANDARD.

STANDARD, LARGE 16"W X 20"H X 8"D	* SEE RATING TYPE: TABLE
DATE: 5-15-2014	REV. A
METRON Division of - Hubbell ICD, Inc. 4301 Cheyenne Drive Archdale, N.C. 27263	DWG. NO. HCMP15D-802